

North Carolina Division of Highways
MATERIALS AND TEST UNIT
REQUISITION FOR PRESSURE POT PARTS

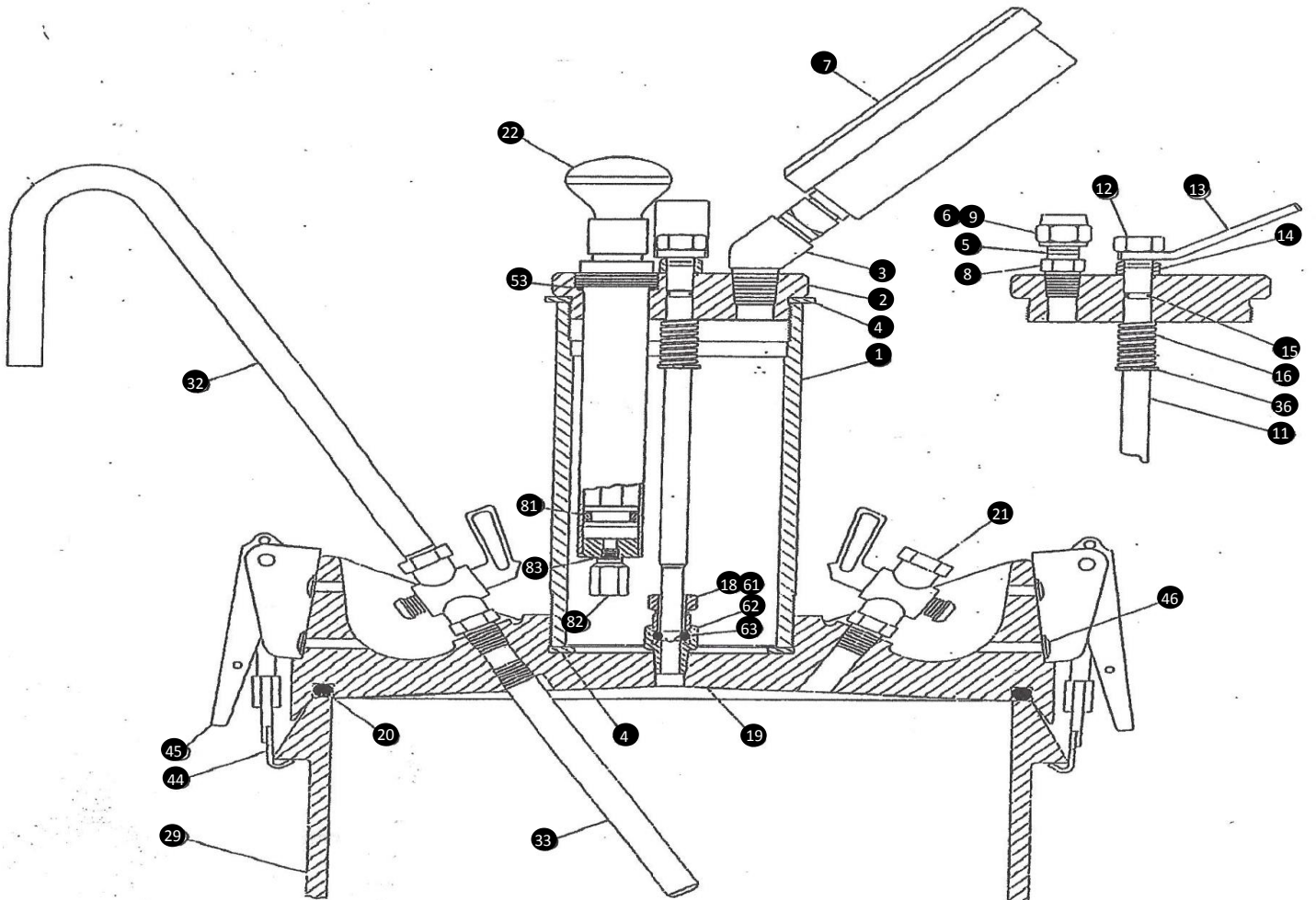
NAME/ TITLE: DIVISION #:

ADDRESS:

COURIER#: STREET CITY ZIP
MSC # PHONE #:
FAX#:

ITEM	PART #	DESCRIPTION	QTY	ITEM	PART #	DESCRIPTION	QTY	ITEM	PART #	DESCRIPTION	QTY
	LA-0280	TAMPING ROD		16	LA-0316-16	NEEDLE VALVE SPRING			LA-0316-39-32	CARRYING CASE LATCH ASSY w/Pin	
	LA-0305-28	SYRINGE		18	LA-0316-18	NEEDLE VALVE SEAL ASSEMBLY		44	LA-0316-44	LID LATCH TAB	
1	LA-0316-01	PRESSURE CHAMER		19	LA-0316-19	LID		45	LA-0316-45	LID LATCH ASSEMBLY	
2	LA-0316-02	PRESSURE CHAMER CAP		20	TM-3030	LID O-RING		46	LA-0316-46	PAN HEAD SCREW, # 10X12	
3	LA-0316-03	PRESSURE CHAMER ELBOW		21	LA-0316-21	LID PETCOCK		53	LA-0316-53	SUPER-PUMP O-RING	
4	LA-0316-04	PRESSURE CHAMER GASKET		22	LA-0316-22	SUPER-PUMP			LA-0316-57	PRESSURE CHAMBER LABEL	
5	LA-0316-05	AIR BLEEDER VALVE ASSEMBLY			LA-0316-23	INSTRUCTION LABEL			LA-0316-560	GASKET REPAIR KIT	
6	LA-0316-06	AIR BLEEDER VALVE CAP			LA-0316-27	PARTS LIST		61	LA-0316-61	5/16" 41WB NUT	
7	LA-0316-07	GAUGE COMPLETE		29	LA-0316/29	BASE 1/4 CU FT.		62	LA-0316-62	5/16 X 1/8" MALE CONNECTION	
8	LA-0316-08	AIR BLEEDER VALVE STEM			LA-0316-30-01	GAUGE GLASS		63	LA-0316-63	NEEDLE VALVE SEAT O-RING	
9	LA-0316-09	AIR BLEEDER VALVE GASKET			LA-0316-31-B	CALIBRATION VESSEL		81	LA-0316-81	PISTON O-RING	
11	LA-0316-11	NEEDLE VALVE STEM		32	LA-0316-32	CALIBRATION TUBE, OUTSIDE		82	LA-0316-82	CHECK VALVE	
12	LA-0316-12	NEEDLE VALVE NUT		33	LA-0316-33	CALIBRATION TUBE, INSIDE		83	LA-0316-83	CHECK VALVE GASKET	
13	LA-0316-13	NEEDLE VALVE LEVER			LA-0316-34	STRIKE OFF BAR 13 1/2"			LA-0316-94	ECONO-CAL CALIBRATION VESSEL	
14	LA-0316-14	NEEDLE VALVE SPACER		36	LA-0316-36	NEEDLE VALVE STEM SNAP RING			LA-0316-95	ACCU-CAL CALIBRATION VESSEL	
15	LA-0316-15	NEEDLE VALVE O-RING			LA-0316-38	CARRYING CASE			LA-0316-T	LID ASSEMBLY W/O BASE	

* When ordering, indicate the quantity of each part needed under the "QTY" row.



Stockroom _____ Date: _____